

RETRACTABLE HOSE REELS



58.1034



58.1045

APPLICATION	PART No.	HOSE I.D.	HOSE LENGTH	W.P. PSI	HOSE TYPE	HOSE COLOUR	CASE COLOUR
Air	58.1034	10mm (3/8")	20mtr	300	PVC	RED	BLACK
Water/Garden	58.1045	12mm (1/2")	20mtr	150	PVC	WHITE	GREEN

Other sizes and specifications available - POA.

JAMEC PEM

AIR HOSE REEL PRO SERIES - RETRACTABLE



AIR HOSE REEL OPERATING INSTRUCTIONS

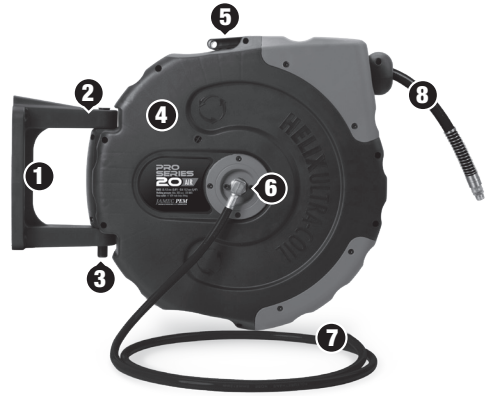
- 58.2012** - 32 metre x 8 mm (5/16") **Reinforced** PU Braided Hose
- 58.1034** - 20 metre x 9.5 mm (3/8") **Reinforced** PVC Braided Hose
- 58.1056** - 15 metre x 12.5 mm (1/2") **Reinforced** PVC Braided Hose
- 58.2089** - 20 metre x 9.2 mm (3/8") **Reinforced** JFLEX Extreme Hose

The Jamec Pem AIR HOSE REEL PRO SERIES **RETRACTABLE** with a precision machined solid brass internal spindle for strength and reliability, combined with the unique HELIX Ultra-Coil self layering system, sets a high standard of hose reel performance.

Proudly designed in Australia, the Jamec Pem PRO SERIES Hose Reel has been manufactured using the highest quality materials. This multi-purpose hose reel is suitable for most compressed air applications and is ideal for use around the home, automotive workshop or industrial site.

FEATURES

- Precision machined solid brass internal spindle for strength and reliability.
- Unique HELIX Ultra-Coil self layering hose system provides tangle free operation.
- Fully enclosed outer case protects hose and inner drum against dirt and other contaminants.
- High impact and weather resistant UV stabilised polypropylene case.
- Auto lock and auto rewind mechanism provides positive hose latching every full revolution of the hose inner drum.
- Reinforced PVC braided hose with an additional 2 metre leader hose.
- Quality brass fittings included on all hose.
- Heavy duty mounting bracket, locking plate and pivot pin for fixed in-line or optional 180° swivel mount.
- Suitable for both wall or overhead mounting.
- Convenient carry handle located on top of the case allows easy removal and refitting of the hose reel to the mounting bracket.
- Every Jamec Pem AIR HOSE REEL PRO SERIES **RETRACTABLE** is supported with a 2 YEAR WARRANTY.



PRODUCT IDENTIFICATION

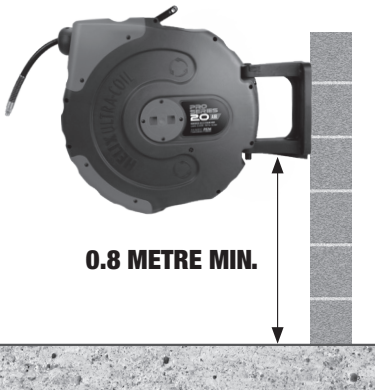
- 1 Mounting Bracket**
- 2 Optional Fixed In-line Locking Plate**
- 3 Pivot Pin**
- 4 Fully Enclosed Case**
- 5 Carry Handle**
- 6 Solid Brass Internal Spindle**
- 7 2 metre Leader Hose**
- 8 Hose with Adjustable Stopper**

INSTALLATION

The Jamec Pem AIR HOSE REEL PRO SERIES RETRACTABLE can be mounted in a horizontal or vertical position.

1. Choose a location that is near to the compressed air source.
2. For large areas, place the hose reel at the centre of the work area.
3. When mounting the hose reel vertically, ensure there is adequate clearance under the reel to prevent injury or damage.
4. Mounting bracket must be installed on a flat surface.

Note: It is recommended to install the mounting bracket 0.8 metre (minimum) above the floor level.



5. Drill 4 x M8 holes to match the holes located in the Mounting Bracket. (Fig. 1)

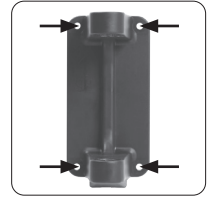


Fig. 1 Mounting Bracket

6. Connect the hose reel to the Mounting Bracket with the Pivot Pin. (Fig. 2)

Note: For fixed in-line position, fit the locking plate onto the Mounting Bracket prior to inserting the pivot pin. (Fig. 3)



Fig. 2 Pivot Pin

7. Connect the inlet leader hose to the compressed air source.

Note: Apply thread sealing tape to all air line and air hose fittings.

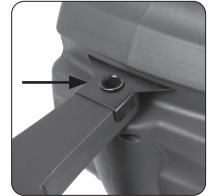


Fig. 3 Locking Plate

OPERATION

1. Slowly pull out the hose to the required length. A 'clicking' noise will be heard every revolution of the inner drum. To lock the reel, allow the hose to retract slowly after hearing the second or third 'click'.
2. To release the hose, pull out the hose until the 'clicking' noise stops, and then allow the hose to slowly retract while guiding the hose back into the hose reel. The self layering mechanism will coil the hose back onto the inner drum.
3. **To avoid injury and damage, always hold the hose while it is retracting.**

IMPORTANT:

If the hose becomes tangled and will not retract - slowly pull out the hose past the tangled section and then allow the hose to slowly retract while guiding the hose back into the hose reel.

Always ensure the hose is clean and not twisted.

SPECIFICATIONS

Part No.	Hose Length	Hose Material	Working Pressure	Hose I.D.	Hose O.D.	Leader Hose	Inlet Size
58.2012	32 m	PU	Max. 250 p.s.i. (17 BAR)	8 mm (5/16")	12 mm (15/32")	2 m	1/4" BSP
58.1034	20 m	PVC	Max. 300 p.s.i. (20 BAR)	9.5 mm (3/8")	16 mm (5/8")	2 m	1/4" BSP
58.1056	15 m	PVC	Max. 300 p.s.i. (20 BAR)	12.5 mm (1/2")	18.5 mm (3/4")	2 m	3/8" BSP
58.2089	20 m	PVC & RUBBER	Max. 300 p.s.i. (20 BAR)	9.2 mm (3/8")	15.2 mm (5/8")	2 m	1/4" BSP

MAINTENANCE

- Always keep the hose clean.
- If the hose becomes dirty, clean it with a damp cloth while retracting.
- DO NOT twist the hose while in use.
- Mount the hose reel in a sheltered area to assist and protect the performance of the hose and hose reel.

- DO NOT allow the hose to contact any corrosive chemicals or fluids.
- Always retract the hose when not in use.
- The Jamec Pem AIR HOSE REEL PRO SERIES RETRACTABLE contains a pre-tensioned spring inside the inner drum assembly. **Do not attempt to open the inner drum assembly.**

WARRANTY & CLAIM PROCEDURE

The Jamec Pem AIR HOSE REEL PRO SERIES RETRACTABLE is covered against defects in material and workmanship for a period of 2 years from the purchase date recorded on the owner's invoice or receipt.

In the instance of a warranty claim, the owner will be entitled to a replacement unit or a sufficient repair of the defective part/s and or component/s to ensure normal operating condition of the hose reel.

WARRANTY EXCLUSIONS

The hose, rubber o-rings and hose stopper are deemed normal wear items and are not covered under warranty. The warranty does not extend to parts or components affected or damaged by accident, normal wear, misuse, neglect or faulty installation.