

AIP BUTTERFLY VALVES

WAFER BODY - GEAR OPERATED 316 stainless steel disc, 410 stainless steel stem, NBR seat, Table E

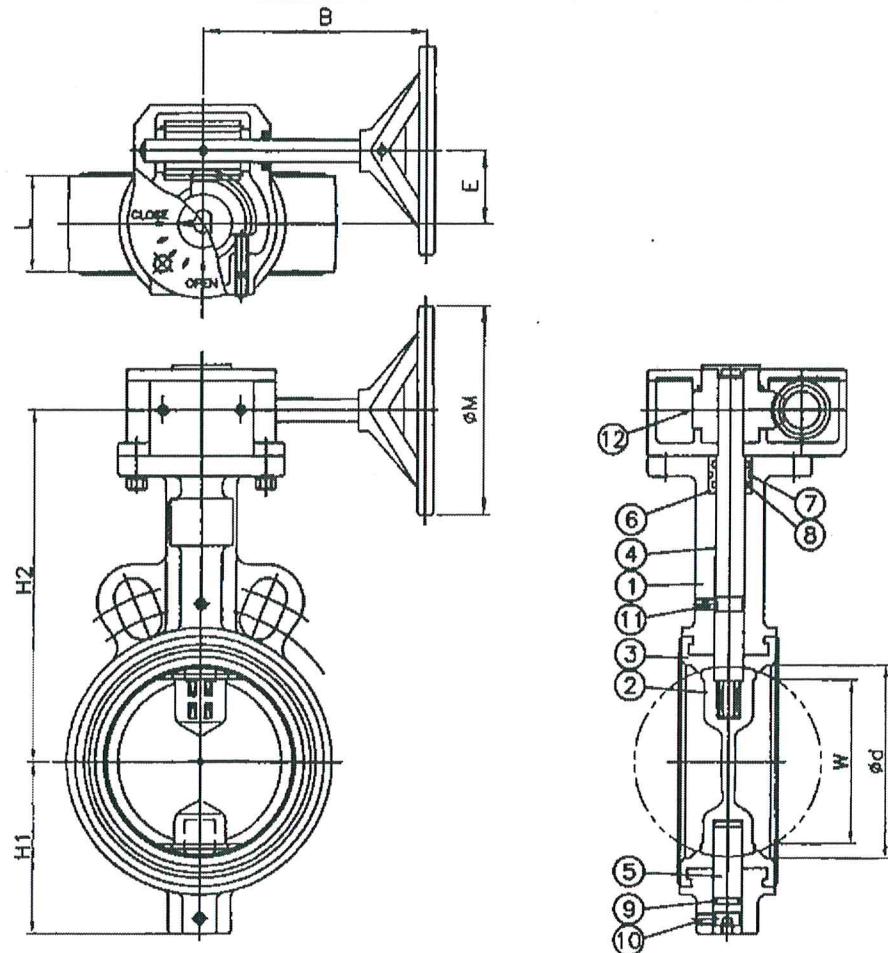


SIZE INCH	SIZE MM	PART No.
2	50	BFGOW50
3	80	BFGOW80
4	100	BFGOW100
5	125	BFGOW125
6	150	BFGOW150
8	200	BFGOW200
10	250	BFGOW250
12	300	BFGOW300
14	350	BFGOW350
16	400	BFGOW400
18	450	BFGOW450
20	500	BFGOW500
24	600	BFGOW600

Larger sizes available on request.

DIMENSIONS											UNIT: mm
NOMINAL DIAMETER	ød	L	FLANGE		H1	H2	B	E	øM	W	WEIGHT (KG)
			øC	n-øh							
50(2")	50	43			61	163	160	44	160	28	6.6
65(2.5')	67	46			73	174	160	44	160	51	7.3
80(3")	79	46			80	185	160	44	160	67	7.7
100(4")	101	52			93	199	160	44	160	89	8.8
125(5")	124	56			113	212	160	44	160	113	10.5
150(6")	147	56			126	225	160	44	160	139	12.3
200(8")	197	60			157	275	220	66	285	191	21.2

FLANGE RATING : MULTI-DRILLING(5K,10K,PN10,PN16,150LB,TABLE-E)



P.NO.	PART NAME	MATERIAL	Q'TY	REMARK
1	BODY	A126CLB	1	
2	DISC	A351CF8M	1	
3	SEAT RING	NBR	1	
4	MAIN STEM	A276T410	1	
5	STUB STEM	A276T410	1	
6	O-RING HOLDER	ACETAL	1	
7	O-RING	NBR	2	
8	O-RING	NBR	1	
9	O-RING	NBR	1	
10	STOP BOLT	SS400	1	
11	BOLT/O-RING/BOLT	SS400/NBR/SUS304	1SET	
12	GEAR BOX	ASS'Y	1	

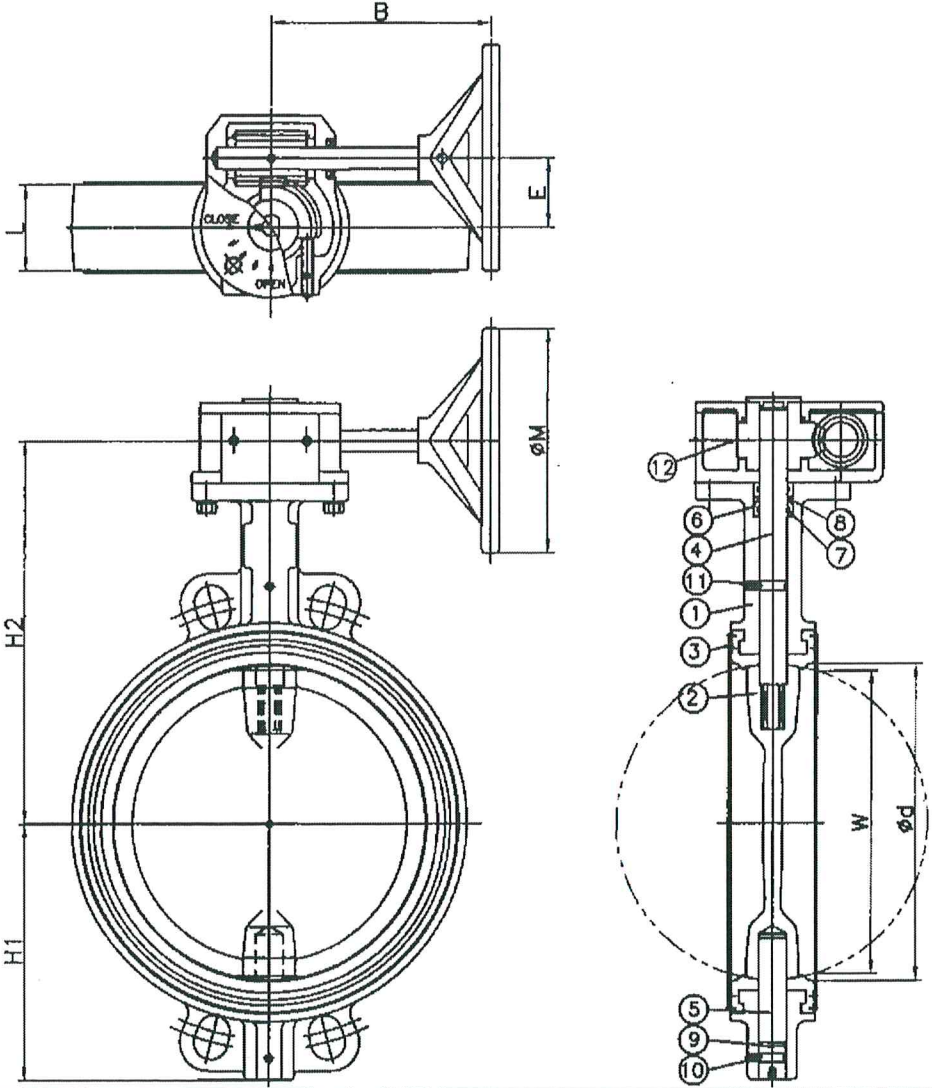
NOTES

- "W" DIMENSION IS THE MINIMUM ALLOWABLE FLANGE INSIDE DIAMETER OR PIPE INSIDE DIAMETER AT THE CENTERED BODY FACE WHEN IN THE OPEN POSITION
- HYDROSTATIC TEST
-BODY : 15 BAR
-SEAT : 11 BAR
- FACE TO FACE : ISO 5752

NO.	DATE	DESCRIPTION	DRA.	DES.	CHK.	APP.
0	'06.02.10	FIRST ISSUE				
TITLE: WAFER TYPE MULTI-DRILLING GEAR OPERATED BUTTERFLY VALVE						
APP.	CHK.	DES.	DRA.	SCALE	N/S	
				DATE	'06.01.12	
				DWG/N	CBV-M-G1	

DIMENSIONS											UNIT: mm
NOMINAL DIAMETER	ød	L	FLANGE		H1	H2	B	E	øM	W	WEIGHT (KG)
			øC	n-øh							
250(10")	248	68			205	315	220	66	240	242	27.6
300(12")	297	78			240	350	220	66	285	290	36.0
350(14")	332	78			267	377	250	70	285	325	50.0

FLANGE RATING : MULTI-DRILLING(5K,10K,PN10,PN16,150LB,TABLE-E)



P.NO	PART NAME	MATERIAL	Q'TY	REMARK
1	BODY	A126CLB	1	
2	DISC	A351CF8M	1	
3	SEAT RING	NBR	1	
4	MAIN STEM	A276T410	1	
5	STUB STEM	A276T410	1	
6	O-RING HOLDER	ACETAL	1	
7	O-RING	NBR	2	
8	O-RING	NBR	1	
9	O-RING	NBR	1	
10	STOP BOLT	SS400	1	
11	BOLT/O-RING/BOLT	SS400/NBR/SUS304	1SET	
12	GEAR BOX	ASS'Y	1	

NOTES

- "W" DIMENSION IS THE MINIMUM ALLOWABLE FLANGE INSIDE DIAMETER OR PIPE INSIDE DIAMETER AT THE CENTERED BODY FACE WHEN IN THE OPEN POSITION
- HYDROSTATIC TEST
-BODY : 15 BAR
-SEAT : 11 BAR
- FACE TO FACE : ISO 5752

NO.	DATE	DESCRIPTION	DRA.	DES.	CHK.	APP.
0	'06.02.10	FIRST ISSUE				
<p>TITLE: WAFER TYPE MULTI-DRILLING GEAR OPERATED BUTTERFLY VALVE</p>						
APP.	CHK.	DES.	DRA.	SCALE	N/S	
				DATE	'06.01.12	
				DWG/N	CBV-M-G2	