

AIP BUTTERFLY VALVES

DOUBLE FLANGED - GEAR OPERATED, COMPLETE WITH LOCKING DEVICE

PN16, epoxy coated ductile iron, 316 stainless steel disc, 410 stainless steel stem, NBR seat, Table E



SIZE INCH	SIZE MM	PART No.
2	50	DFBFVGO50
2½	65	DFBFVGO65
3	80	DFBFVGO80
4	100	DFBFVGO100
5	125	DFBFVGO125
6	150	DFBFVGO150
8	200	DFBFVGO200
10	250	DFBFVGO250
12	300	DFBFVGO300
14	350	DFBFVGO350
16	400	DFBFVGO400
18	450	DFBFVGO450
20	500	DFBFVGO500
24	600	DFBFVGO600

Larger sizes available on request.

4

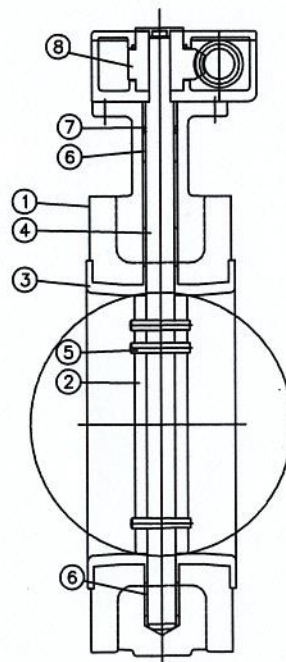
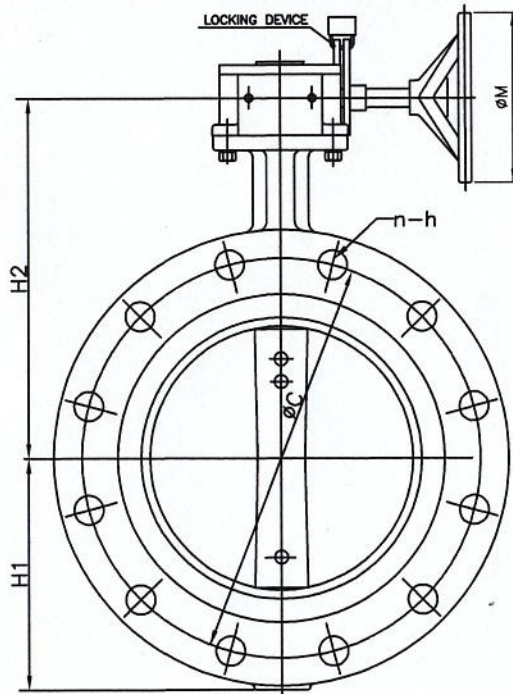
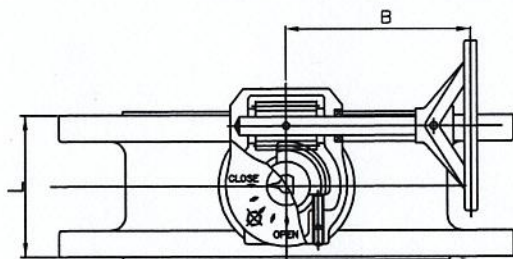
3

2

1

DIMENSIONS								UNIT: mm
NOMINAL DIAMETER	L	FLANGE		H1	H2	B	ØM	
		ØC	n-h					
200(8")	152	292	8-Ø22	180	290	250	240	
250(10")	165	356	12-Ø22	214	331	250	240	
300(12")	178	406	12-Ø27	243	360	250	285	
350(14")	190	470	12-Ø27	275	400	250	285	
400(16")	216	521	12-Ø27	307	455	280	385	
450(18")	222	584	16-Ø27	330	470	280	385	
500(20")	229	641	16-Ø27	370	500	280	430	

FLANGE RATING : AS2129 TABLE E



P.NO	PART NAME	MATERIAL	Q'TY	REMARK
1	BODY	FCD450	1	
2	DISC	SCS14	1	CF8M
3	SEAT	NBR	1	
4	STEM	SUS410	1	
5	DISC PIN	SUS316	3	
6	BUSH	BRONZE	1set	
7	O-RING	NBR	1set	
8	GEAR BOX	ASS'Y	1	

NOTES

- FACE TO FACE : ISO 5752 SERIES 13
- HYDROSTATIC TEST FOR SEAT : 15.4 BAR

0	'06.02.10	FIRST ISSUE				
NO.	DATE	DESCRIPTION	DRA.	DES.	CHK.	APP.
TITLE		DOUBLE FLANGE TYPE GEAR OPERATED BUTTERFLY VALVE				
APP.	CHK.	DES.	DRA.	SCALE	N/S	
				DATE	'06.01.12	
				DWG/N	CHB3E-G-02	
AIP						